

G201

Hot Water Wood and Coal Boiler

Buderus

Bosch Group



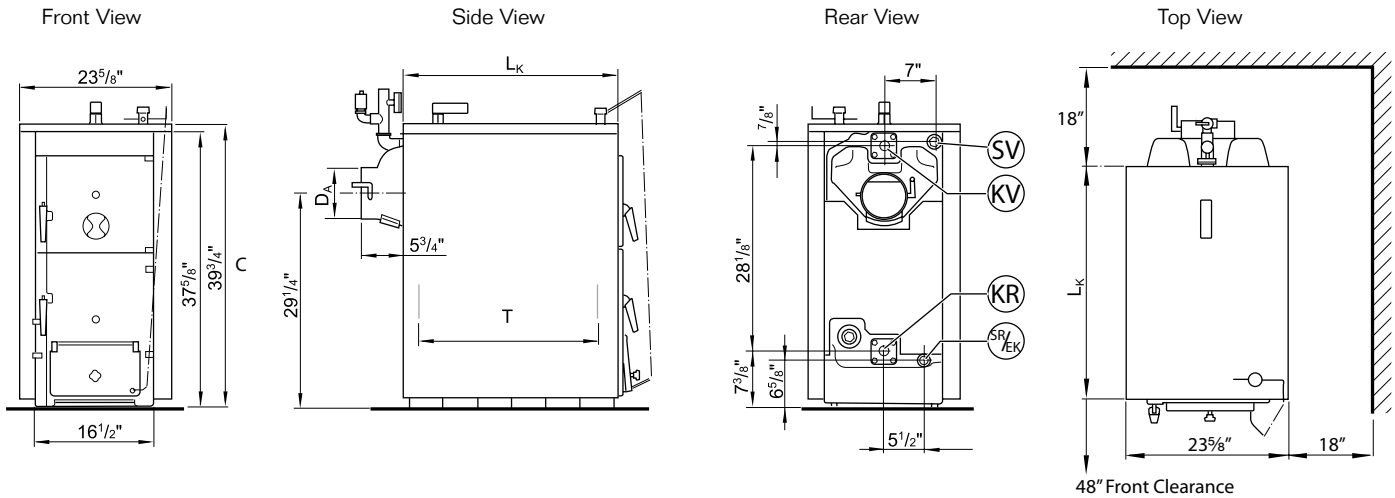
Ecological and Economical

- Thermostatic Sampson Firing Control
- Wood Burning is CO₂ Neutral
- Well Insulated for Heat Retention
- Stack Damper for Draft Control
- Large Ash Receiver
- Water Jacket Surrounds the Fire Box
- Water Cooled Grates
- Three models with outputs of 96 MBH, 125 MBH, 145 MBH

Comfortable. Efficient. Intelligent Heating.

G201: Hot Water Wood and Coal Boiler

The Buderus G201 wood boiler is built with the finest materials, including our patented GL180M cast iron. Its proven design and technology provides features such as primary and secondary air inlets for excellent combustion as well as reducing creosote formation, manual draft damper for exceptional draft control, front and rear access for ease in cleaning, and 3" of insulation for superior heat retention.



Model	201/5	201/6	201/8
Performance Data			
Net Ratings (Din)	96	125	145
Piping Connections			
Chimney Draft Requirements (in. wc)	0.040	0.048	0.052
Flue Connection	7"	7"	7"
Water Connections			
Boiler Flow (KV)	1 1/2"	1 1/2"	1 1/2"
Boiler Return (KR)	1 1/2"	1 1/2"	1 1/2"
Pressure Relief Valve (SV)	1 1/4"	1 1/4"	1 1/4"
Boiler Drain (SR/EK)	1"	1"	1"
Firing Controller Tap (F) (not tapered)	3/4"	3/4"	3/4"
Temperature Control Tap	3/4"	3/4"	3/4"
Physical Dimensions			
Boiler Length (L _k)	23"	27"	34 7/8"
Combustion Chamber Length (T)	19 1/4"	23 1/4"	31 7/8"
Maximum Wood Length	15 1/4"	19 1/4"	27 1/4"
Fuel Volume (cu.ft)	2 5/8	3 3/8	4 3/8
Fuel Volume (lbs)	153	196	254
Water Contents (gal.)	8 5/8	10	12 1/8
Net Weight Approx (lbs)	620	706	876

Venting Requirements

The boiler must be connected to a chimney that is approved for solid fuel firing in your area. In addition to your local codes, it is recommended that the chimney be fully lined, equipped with a clean-out, open at the top, free of protrusions in the flue, and higher than the peak of the house. For ease of inspection, there should be clear visibility from the clean-out up the flue to the exit. Additionally the chimney should not be shared with fireplaces, stoves, or wood heaters.

