

User's Information Manual

Sealed Combustion Gas Boiler Logano GA244

WARNING!

If the information in this manual is not followed exactly, a fire or explosion may result causing property damage, personal injury or loss of life.

- Do not store or use gasoline or other flammable vapors and liquids in the vicinity of this or any other appliance.

WHAT TO DO IF YOU SMELL GAS!

- Do not try to light any appliance.
- Do not touch any electric switch; do not use any phone in your building.
- Immediately call your gas supplier from your neighbor's phone. Follow the gas supplier's instructions.
- If you can not reach your gas supplier, call your Fire Department.
- Installation and Service must be performed by a qualified installer, service agency or gas supplier.



Notice! This manual must be retained for future reference.

Please read these instructions carefully

Buderus

1 Safety Considerations

The gas-boiler Logano GA244 is designed and manufactured according to the newest technological realizations and safety-relevant rules. Special importance was put on convenience in usage of the boiler. For the safe, economic and environmentally friendly use of the system we recommend to consider the safety notes and the operating instructions.

1.1 Application purpose

The GA244 gas boiler is designed for use as a hot water heating boiler to heat water for space heating purposes for single and multi family houses.

1.2 Guideline of Notice

Two levels of danger are identified by the following warning labels:



WARNING!

DANGER

Denotes a possible severely dangerous situation where, without proper caution, bodily injury or loss of life may result.



CAUTION!

DANGER OF INJURY/ SYSTEM DAMAGE

Denotes a possible dangerous situation that can lead to mild to moderate bodily injury or physical damage.



APPLICATION NOTICE

Application comment for optimum use of equipment and adjustment as well as useful information.

1.3 Observe the following symbols

When these lighting instructions are not strictly followed it may lead to incorrect operation and system damage.

- Operate the boiler only according to the instructions and only in sound status.
- Please have your heating system installed by a licensed heating contractor.
- Let the heating specialist instruct you in the proper usage of the heating system.
- Please read these instructions carefully.

1.3.1 Boiler room



CAUTION!

BOILER DAMAGE AND OPERATIONAL FAILURES

Due to insufficient or lacking openings for combustion air and/or ventilation of the boiler room.

- Make sure that intake and exhaust openings are sufficiently sized and no reduction or closure of openings takes place.
- When the problem is not resolved, do not operate the boiler.



WARNING!

FIRE DANGER

due to flammable material or liquids.

- Do not store flammable materials and liquids in the immediate vicinity of the boiler.



CAUTION!

SYSTEM DAMAGE

due to freezing.

- Make sure to keep the boiler room from freezing.

1.3.2 Work on the installation



DANGER

due to explosion of gas.

WARNING!

- Work only on gas components when you have a license to do so.
- Note that the assembly of gas and vent connections, the initial start-up, the electrical connections, the maintenance and service can only be performed by a licensed service contractor or technician.

Note the following directions for safe operation of the appliance.

- Do not use this boiler if any part has been under water. Immediately call a qualified service technician to inspect the boiler and to replace any part of the control system and any gas control which has been under water.
- Should overheating occur or the gas supply fails to shut off, do not turn off or disconnect the electrical supply to the pump. Instead, shut off the gas supply at a location external to the appliance.
- The venting system must be inspected yearly. Replace any parts that show signs of deterioration from corrosion or any other sources.
- The boiler must be inspected yearly by a qualified service agency. The inspection must include the main burners, pilot burner, boiler flue, blower and blower housing, intake air hose and the overall venting system. Replace any parts that show signs of deterioration from corrosion or any other sources.

2 Lighting Instructions

For your safety, read before lighting.



DANGER!

DANGER

when these lighting instructions are not strictly followed it may lead to incorrect operation.

- If you do not follow these instructions exactly, a fire or explosion may result causing property damage, personal injury or loss of life.
- Follow these operating instructions.



WARNING!

WHAT TO DO IF YOU SMELL GAS

- No open fire! Do not smoke!
- Avoid formation of sparks. Do not touch any electric switch, phone, electric plug or bell!
- Shut off the main gas supply!
- Open windows and doors!
- Notify all occupants!
- Leave the building!
- Immediately call your gas supplier, heating contractor or fire department from a phone outside the building!

- A)** This appliance is equipped with an ignition device which automatically lights the pilot. Do not try to light the pilot by hand.
- B)** Check for smell of gas around the appliance area. Be sure to smell next to the floor because some gas is heavier than air and will settle on the floor.
- C)** Use only your hand to turn the gas control knob (Fig.2. **Item.** 1). Never use tools. If the knob will not turn by hand, don't try to repair it, call a qualified service technician. Force or attempted repair may result in a fire explosion.
- D)** Do not use this appliance if any part has been under water. Immediately call a qualified service technician to inspect the appliance and to replace any part of the control system and any gas control which has been under water.

3 Operating Instructions

STOP! Read the safety information printed on page 4 in these instructions.

1. Set the thermostat to its lowest setting.
2. Turn off all electric power to the appliance.
3. This appliance is equipped with an ignition device which automatically light the pilot. Do not try to light the pilot by hand.
4. Remove screws from left and right of the front access panel (Fig. 1, **Item. 1**). Tip top of the access panel forward (Fig. 1, **Item. 2**) and lift up from the bottom and remove front panel.
5. Turn the gas control knob clockwise to „OFF“ (Fig. 2, **Item. 1**). Do not force.
6. Wait five (5) minutes to clear out any gas. Then smell for gas, including near the floor. If you smell gas, STOP! Follow „B“ in the safety information, Chapter 2 „Lighting Instructions“, page 4. If you do not smell gas, go to the next step.
7. Turn the gas control knob counterclockwise to „ON“ (Fig. 2, **Item. 1**). Do not use force.
8. Replace front access panel (Fig. 1).
9. Turn on all electric power to the appliance.
10. Set the thermostat to desired setting.
11. If the appliance will not operate, follow the instructions „TO Turn OFF Gas To Appliance“ and contact your service technician or gas supplier.

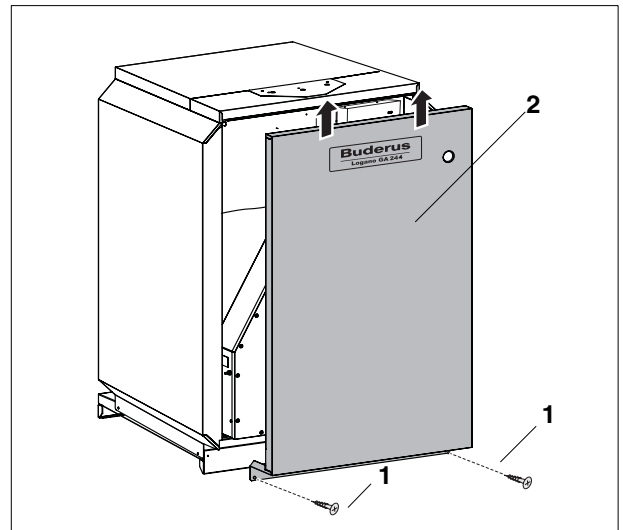


Fig. 1 Removal of front access panel

Item. 1: Jacket screws

Item. 2: Boiler front access panel

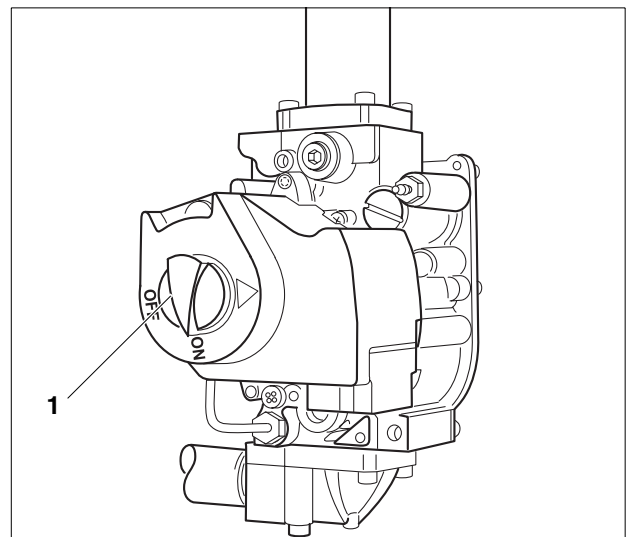


Fig. 2 Gas control

Item. 1: Gas control knob

To Turn OFF Gas To Appliance

1. Set the thermostat to lowest setting.
2. Turn off all electric power to the appliance if service is to be performed.
3. Remove front access panel (Fig. 1).
4. Turn the gas control knob clockwise to „OFF“ (Fig. 2, **Item. 1**). Do not use force.
5. Replace front access panel (Fig. 1).

Flame Roll-out Safety Shut-off Switch

The boiler is equipped with a flame roll-out shut-off switch. If the boiler flue becomes blocked, the roll-out switch will open. Do not attempt to place the boiler in operation. Contact a qualified service agency. The boiler flue must be inspected for blockage and the roll-out switch must be replaced. The roll-out switch is a single use device. Do not attempt to reuse.

Heating Contractor:

PRODUCTS MANUFACTURED BY

BBT Thermotechnik GmbH
35573 Wetzlar
www.buderus.de

Buderus

BBT North America Corporation
50 Wentworth Avenue
Londonderry, NH 03053
Tel: 603-552-1100 • Fax: 603-584-1681
www.buderus.net

*BBT North America Corporation reserves the right to make changes without notice
due to continuing engineering and technological advances.*