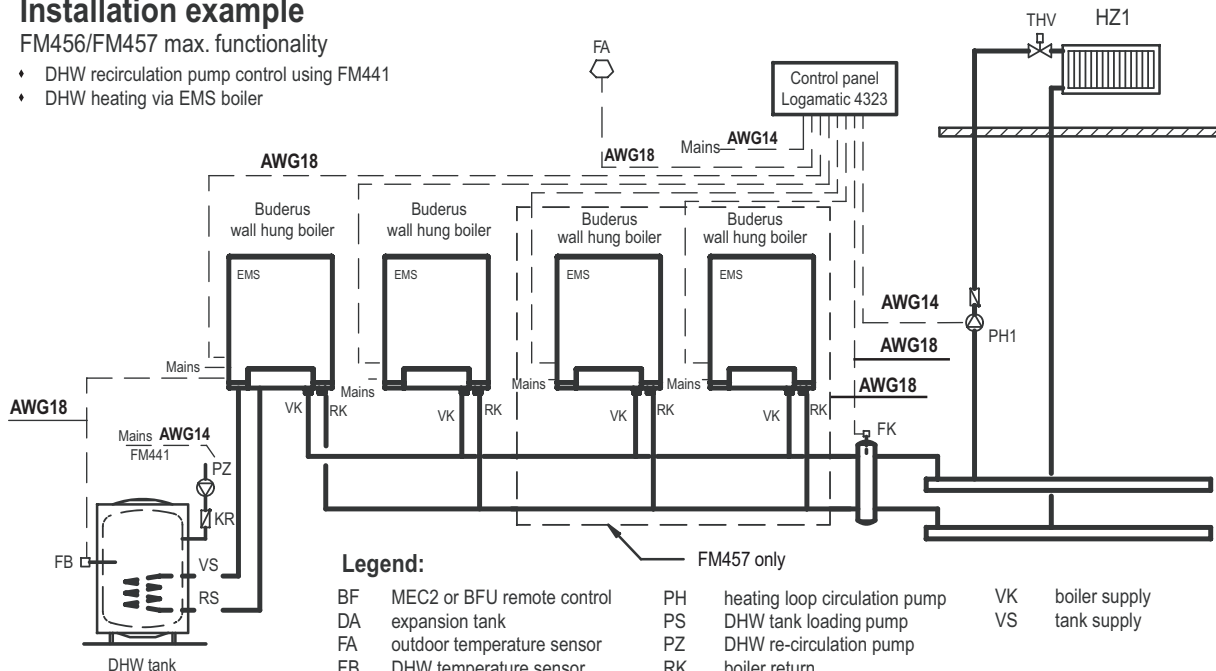


### Installation example

FM456/FM457 max. functionality

- DHW recirculation pump control using FM441
- DHW heating via EMS boiler



**Legend:**

BF	MEC2 or BFU remote control	PH	heating loop circulation pump	VK	boiler supply
DA	expansion tank	PS	DHW tank loading pump	VS	tank supply
FA	outdoor temperature sensor	PZ	DHW re-circulation pump		
FB	DHW temperature sensor	RK	boiler return		
FK	boiler water temperature sensor	RS	tank return		
FV	supply temperature sensor	SH	heating circuit actuator (mixer)		
HZ	heating loop	THV	thermostatic radiator valve (optional)		
KR	check valve	TWH	heating circuit temperature monitor		