

Technical service bulletin

Burner Removal & Installation

Installation Manual Supplement

Buderus

Introduction

- The purpose of this bulletin is a supplement to the Servicing instructions for the Buderus Condensing gas boiler Logamax plus GB142-24/30/45/60.

Reference Document

- Servicing instructions Logamax plus GB142-15/24/30/45/60 Version - 05/2005
- The following are excerpts from Section 8.1.30 Burner; replacing, page 117, Fig. 79.

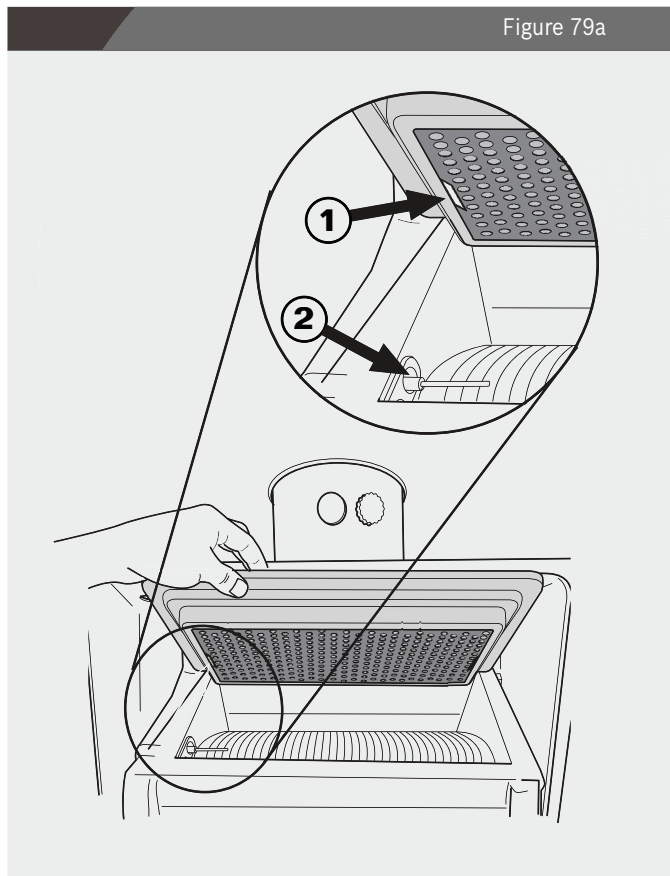
8.1.30 Burner; replacing

- Install the new burner (see fig. 79a).
- Fit the burner so that the tab (Fig. 79a, pos. 1) is located on the left hand side over top of the ionization rod (Fig. 79a, pos. 2).

Note: There is no tab on model GB142/60

- Re-assemble all other parts in reverse order of disassembly.

Figure 79a



Buderus

Bosch Thermotechnology Corp.
50 Wentworth Ave
Londonderry, NH 03053

Tel: (603) 552-1100
Fax: (603) 584-1681
www.buderus.net