

User's Information Manual

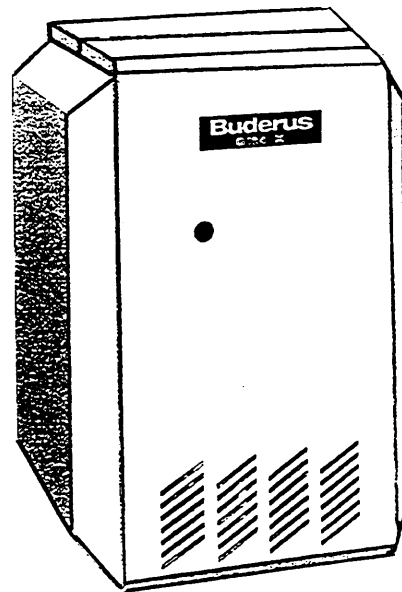
G124 X II/DI – Model Boilers

WARNING: If the information in this manual is not followed exactly, a fire or explosion may result causing property damage, personal injury or loss of life.

- Do not store or use gasoline or other flammable vapors and liquids in the vicinity of this or any other appliance.

WHAT TO DO IF YOU SMELL GAS

- Do not try to light any appliance.
- Do not touch any electric switch; do not use any phone in your building.
- Immediately call your gas supplier from a neighbor's phone. Follow the gas supplier's instructions.
- If you cannot reach your gas supplier, call the Fire Department.
- Installation and service must be performed by a qualified installer, service agency or gas supplier.



Notice: This manual must be retained for future reference!

- Do not use this boiler if any part has been under water. Immediately call a qualified service technician to inspect the boiler and to replace any part of the control system and any gas control which has been under water.
- Should overheating occur or the gas supply fail to shut off, do not turn off or disconnect the electrical supply to the pump. Instead, shut off the gas supply at a location external to the appliance.
- The venting system must be inspected yearly. Replace any parts that show signs of deterioration from corrosion or any other sources.
- The boiler must be inspected yearly by a qualified service agency. The inspection must include the main burners, pilot burner, boiler flue, vent collector and venting system. Replace any parts that show signs of deformation from corrosion or other sources.

Lighting Instructions

FOR YOUR SAFETY, READ BEFORE LIGHTING

WARNING: If you do not follow these instructions exactly, a fire or explosion may result causing property damage, personal injury or loss of life.

- This appliance is equipped with an ignition device which automatically lights the pilot. Do not try to light the pilot by hand.
- BEFORE OPERATING** smell all around the appliance area for gas. Be sure to smell next to the floor because some gas is heavier than air and will settle on the floor.

WHAT TO DO IF YOU SMELL GAS

- Do not try to light any appliance.
 - Do not touch any electric switch, do not use any phone in your building.
 - Immediately call your gas supplier from a neighbor's phone. Follow the gas supplier's instructions.
 - If you cannot reach your gas supplier, call the Fire Department.
- Use only your hand to turn the gas control knob. Never use tools. If the knob will not turn by hand, don't try to repair it, call a qualified service technician. Force or attempted repair may result in a fire or explosion.
 - Do not use this appliance if any part has been under water. Immediately call a qualified service technician to inspect the appliance and to replace any part of the control system and any gas control which has been under water.

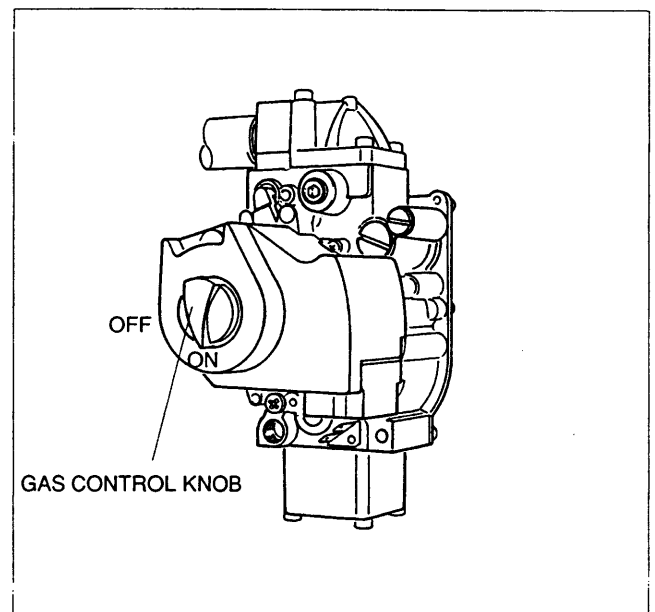




Fig.1

OPERATING INSTRUCTIONS

STOP! Read the safety information printed above in these instructions.

1. Set the thermostat to lowest setting
2. Turn off all electric power to the appliance.
3. This appliance is equipped with an ignition device which automatically lights the pilot. Do not try light the pilot by hand.
4. Remove Control Access Panel fig. 2.
5. Turn the gas control knob clockwise  to "OFF", fig.3. **Do not force.**
6. Wait five (5) minutes to clear out any gas. Then smell for gas, including near the floor. If you smell gas, **STOP!** Follow "B" in the safety information printed page 2. If you do not smell gas, go to the next step.
7. Turn the gas control knob counterclockwise  to "ON", fig. 3. **Do not force.**
8. Replace Control Access Panel fig. 2.
9. Turn on all electric power to the appliance.
10. Set the thermostat to desired setting
11. If the appliance will not operate, follow the instructions "To Turn Off Gas To Appliance" and call your service technician or gas supplier.

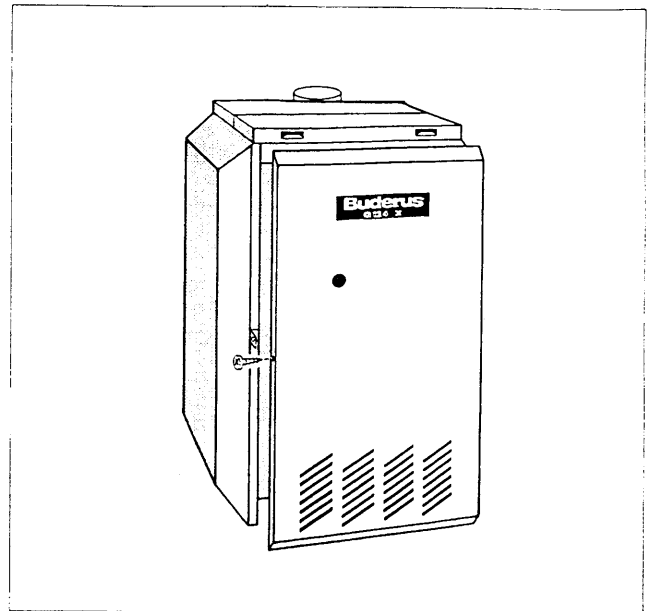


Fig.2

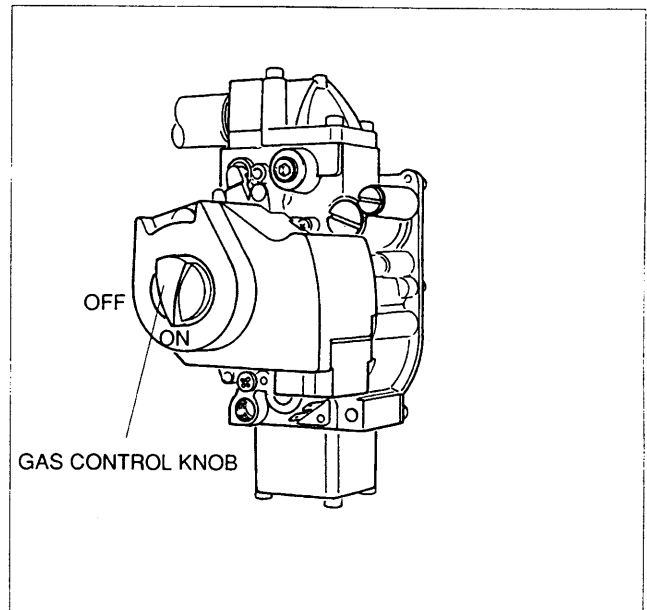



Fig.3

TO TURN OFF GAS TO APPLIANCE

1. Set the thermostat to lowest setting
2. Turn off all electric power to the appliance if service is to be performed.
3. Remove Control Access Panel fig. 2.
4. Turn the gas control knob clockwise  to "OFF", fig. 3. **Do not force.**
5. Replace Control Access Panel fig. 2.

BLOCKED VENT SHUT-OFF SYSTEM

The boiler is equipped with a blocked vent shut-off switch. This switch is attached directly to the collector hood on the boiler, fig.4. If the vent becomes blocked, this switch will heat up and shut off the boiler. In the event that the switch is activated, **do not** attempt to place the boiler in operation. Contact a qualified service agency. The venting system must be inspected for blockage and the switch must be reset to place boiler back in operation.

FLAME ROLL-OUT SAFETY SHUT-OFF SWITCH

The boiler is equipped with a flame roll-out safety shut-off device. If the boiler flue becomes blocked, the roll-out switch will open. Do not attempt to place the boiler in operation. Contact a qualified service agency. The boiler flue must be inspected for blockage and the roll-out switch must be replaced. The roll-out switch is a single use device. **Do not** attempt to reuse.

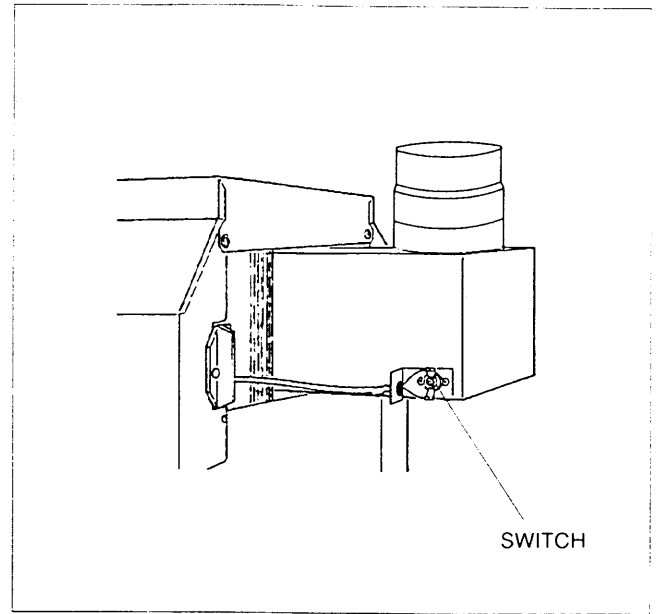


Fig. 4

Boiler installed by:
(contractor's address)

Boiler installed on:
(date of installation)

Buderus
HYDRONIC SYSTEMS

Buderus Hydronic Systems
50 Wentworth Avenue
Londonderry, NH 03053 USA
Tel: (603) 552-1100 • Fax: (603) 421-2719
www.buderus.net

Buderus Hydronic Systems, Inc. reserves the right to make changes without notice due to continuing engineering and technological advances.