

Technical service bulletin Side Wall Vent Termination Spacing for Multiple Boilers

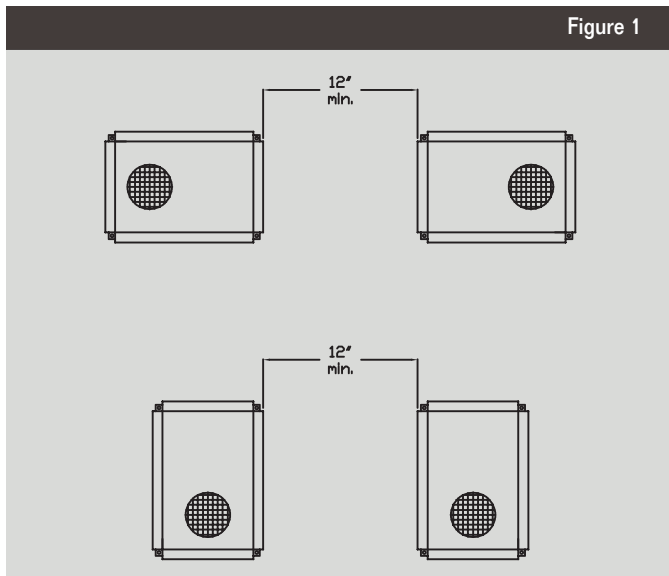
Buderus

Introduction

- The following service bulletin is to be used as a guideline for venting multiple GB142 boilers with concentric termination hoods.

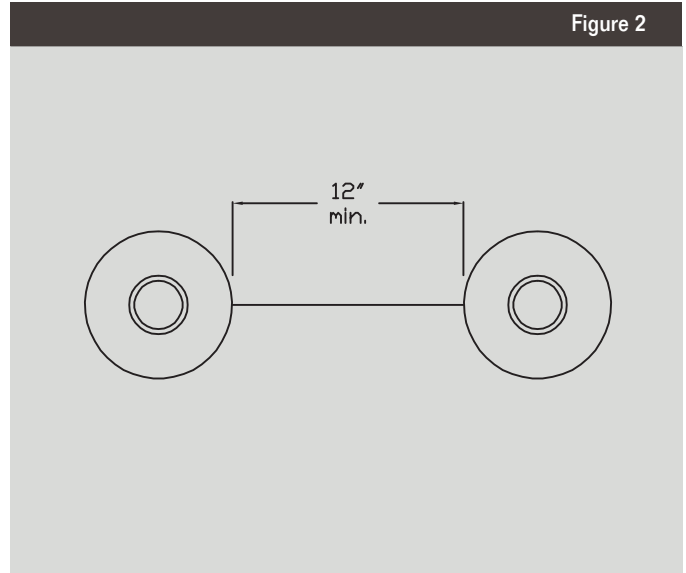
Stainless Steel Concentric Terminations

1. When venting multiple GB142 boilers with the stainless steel concentric hoods allow a minimum of 12" (30.5cm) from inside edge to edge between the hoods (see Figure 1). For further venting installation guidelines please refer to the venting installation instructions.



PVC Concentric Terminations

1. When venting multiple GB142 boilers with the PVC concentric termination allow a minimum of 12" (30.5cm) from inside edge to edge between the terminations (see Figure 2). For further venting installation guidelines please refer to the Boiler Installation Instructions, the Applications Manual, NFPA 54, and State and Local code.



Buderus

Bosch Thermotechnology Corp.
50 Wentworth Ave
Londonderry, NH 03053
Tel: (603) 552-1100
Fax: (603) 584-1681
www.buderus.net