

Technical service bulletin

Removing Fan Assembly

Installation Manual Supplement

Buderus

Introduction

- The purpose of this bulletin is a supplement to the Buderus GB142 Service Manual

Reference Document

- 72149400 - 05/2005 US/CA (EN)
Servicing Instructions - Condensing Gas Boiler
Logamax plus GB142-24/30/45/60

8.1.6 Replacing the fan unit



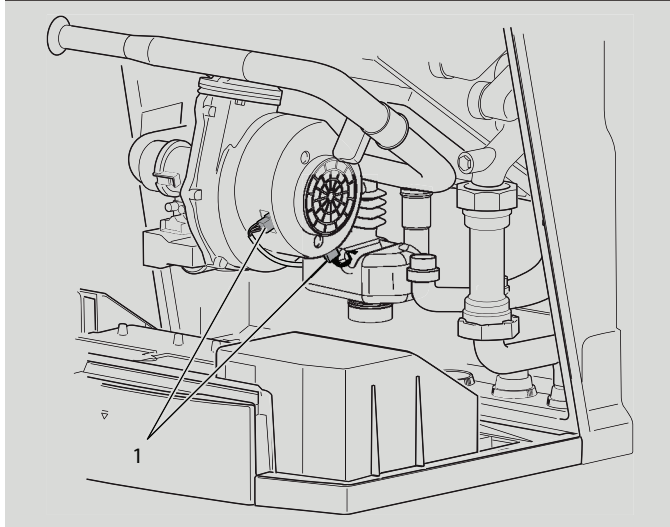
NOTE

Follow the installation instructions for 120V fan units!

- Switch off the power supply of the heating system on the circuit breaker.
- Set the main switch on the BC10 to "0" (Off).
- Remove the casing.
- Remove both cable plugs from the fan unit (see fig. 12, pos. 1).

Disconnect the cable plug from the fan unit

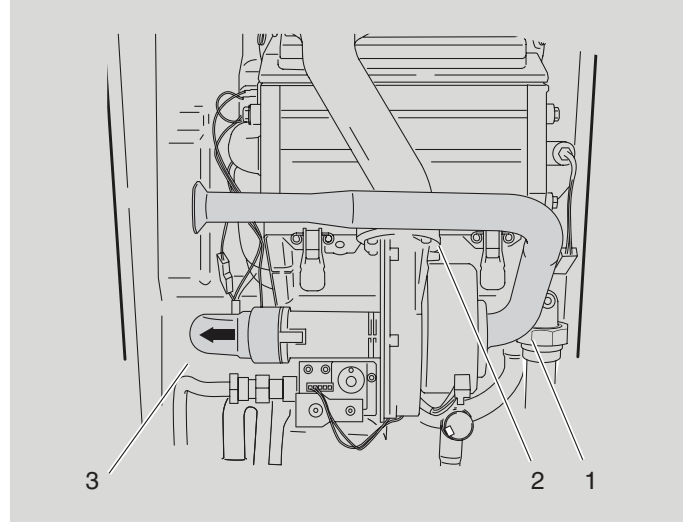
Figure 12



- Remove the air suction tube (see fig. 13, pos. 1).

Dismantling the fan unit

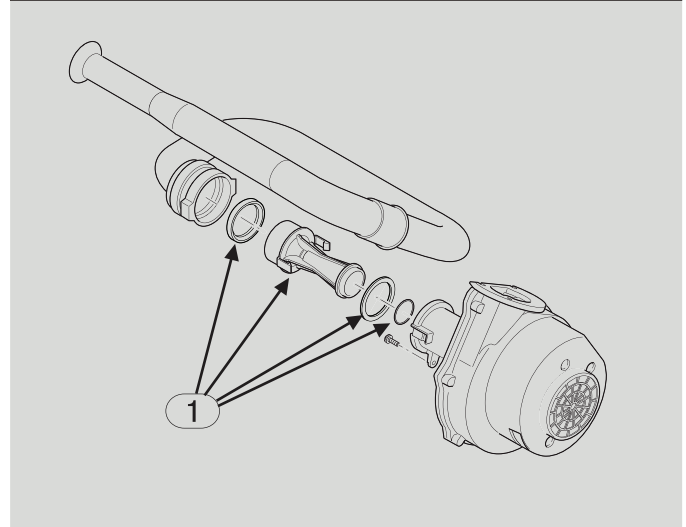
Figure 13



- Remove the fan unit fastening screw (see fig. 13, pos. 2).
- Remove the fan unit by swinging it to the right (see fig. 13, pos. 3).
- Save internal venturi and gaskets for reinstallation in new fan unit (see fig. 13A, pos. 1).

Venturi location

Figure 13A



-
- Install new fan unit.
 - Install internal venturi from original fan unit in new fan unit (see fig. 13A, pos. 1)
 - Install the fastening screw, air suction tube and both plugs.
 - Fit the casing.
 - Switch on the power supply of the heating system on the circuit breaker.
 - Set the main switch on the BC10 to "1" (On).

Buderus

BBT North America Corporation
50 Wentworth Ave
Londonderry, NH 03053
Tel: (603) 552-1100
Fax: (603) 584-1681
www.buderus.net